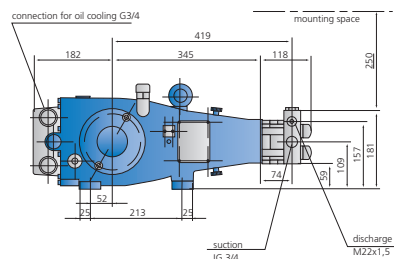
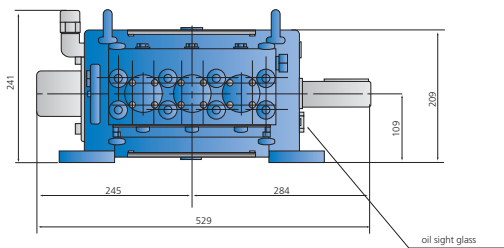


High-Pressure Plunger Pump Y-Line (up to 1000 bar)

70 Y



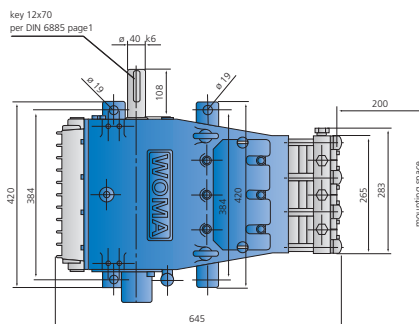
Technical Characteristics



All dimensions in mm
Thread "M" as per DIN 13/ISO 261
Thread "G" as per DIN ISO 228/1

Technical Data:

- ▶ Oil capacity: approx. 3.2 l
- ▶ Weight: approx. 110 kg net
- ▶ Stroke: 44.5 mm
- ▶ Inlet pressure required:
3 – 8 bar / 45 – 115 psi
- ▶ Rod force: 21.6 kN



Performance Chart Pump Type 70 Y

Plunger-diameter (mm)	Crank shaft (Rpm)	Required drive (kW)	Nominal flow rate			Maximum permissible operating pressure (psi / bar)
			USG pm	IMPG pm	l/min	
P 15	1000	40	6.10	5.10	23	14,500/1,000
	750	30	4.50	3.70	17	
P 16	1000	46	6.90	5.70	26	14,500/1,000
	750	34	5.00	4.20	19	
P 18	1000	50	8.70	7.30	33	12,325/ 850
	750	37	6.50	5.40	25	
P 20	1000	51	10.80	9.00	41	10,150/ 700
	750	38	8.00	6.70	30	

General Features

- ▶ Very compact design due to the Y-arrangement from suction and pressure line to the working room
- ▶ Two-piece pump head
- ▶ Very high service life even in continuous operation
- ▶ Low weight

Pump Gear

- ▶ Proven pump gear construction, dust and splash water protected

Pump Head

- ▶ Very flat, load-stress free pump head
- ▶ Corrosion resistant, high-strength forged steel

- ▶ Exclusive valve-seat construction
- ▶ Conversion set for different water flow rates and operating pressures
- ▶ Additional sealing-water system
- ▶ High hydraulic efficiency
- ▶ Easy maintenance due to simple assembly

Additional Equipment

- ▶ Pressure regulating valve, manually or pneumatically operated
- ▶ Pneumatically operated 2/2-way switch valve
- ▶ Full lift safety valve
- ▶ Plungers made from special materials



WOMA GmbH

Werthauer Str. 77 – 79 · D-47226 Duisburg
P.O. Box 14 18 20 · D-47208 Duisburg
Phone +49 2065 304-0 · Fax +49 2065 304-200
Internet: www.woma.de
E-mail: info@woma.de

Delivery Programme

High-pressure plunger pumps
High-pressure water jet systems
High-pressure water tools and accessories

Fields of Application

Agriculture
Automotive and aviation industry
Beverage industry
Cement industry
Chemical industry
Construction and concrete industry
Engineering industry
Food industry
Glass, porcelaine, ceramic industry
Iron, steel and metal industry
Mining
Municipal services
Offshore industry
Power industry
Public transport
Pulp and paper industry
Ship building
Wood working industry